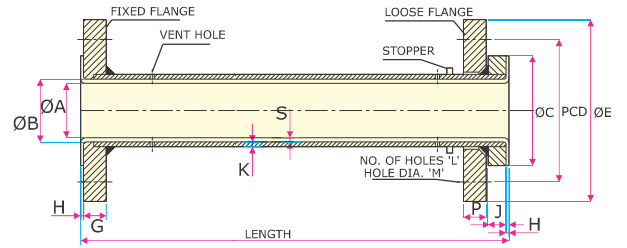


LINED PIPE



Dimensional Table

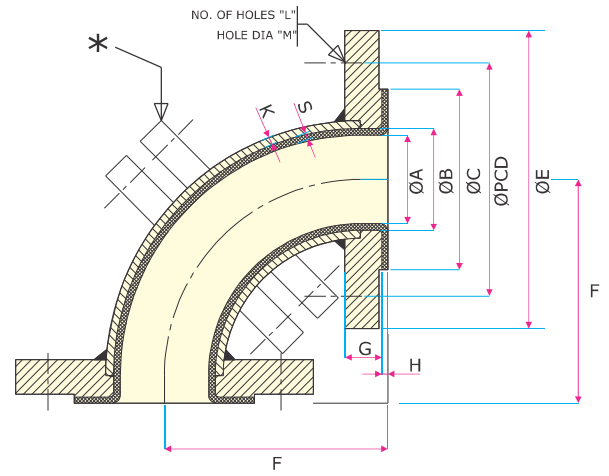
Rating :150 Class

SIZE (NB)	øA ±1	øB	øC	PCD	øE	G	NO. OF HOLES	HOLE DIA	PIPE THK. K	LINER THK. S	FACE THK. H
15mm	14	21	34.9	60.3	88.9	11.1	4	15.9	2.9	4	2.4
20mm	19.6	26.6	42.7	69.8	98.4	12.7	4	15.9	3.4	4	2.4
25mm	19.6	26.6	50.8	79.4	108	14.2	4	15.9	3.4	4	2.4
32mm	28.1	35.1	63.5	88.9	117.5	15.8	4	15.9	3.6	4	2.4
40mm	33.9	40.9	73	98.4	127	17.5	4	15.9	3.7	4	2.4
50mm	45.5	52.5	92.1	120.7	152.4	19.1	4	19	3.9	4	2.4
65mm	55.7	62.7	104.8	139.7	177.8	22.2	4	19	5.2	4	2.4
80mm	70.9	77.9	127	152.4	190.5	23.8	4	19	5.5	4	2.4
100mm	95.3	102.3	157.2	190.5	228.6	23.8	8	19	6	4	2.4
125mm	119.2	128.2	185.7	215.9	254	23.8	8	22.2	6.6	5	3.8
150mm	145.1	154.1	215.9	241.3	279.4	25.4	8	22.2	7.1	5	3.8
200mm*	197.4	206.4	269.9	298.5	342.9	28.6	8	22.2	6.35	5	3.8
250mm*	249.3	260.3	323.9	362	406.4	30.2	12	25.4	6.35	6	4
300mm*	300.1	311.1	381	431.8	482.6	31.8	12	25.4	6.35	6	4
350mm*	328.7	339.7	412.8	476.3	533.4	34.9	12	28.6	7.92	6	4
400mm*	379.5	390.5	469.9	539.8	596.9	36.5	16	28.6	7.92	6	4
450mm*	429.3	441.3	533.4	577.9	635	39.7	16	31.8	7.92	6.5	4.4
500mm*	475.9	488.9	584.2	635	698.5	42.9	20	32	9.52	7	4.8
600mm*	575.9	590.5	692.2	749.3	812.6	47.6	20	35	9.52	8	5.6
700mm	685.1	692.1	801.6	863.6	827.1	50	28	35	9.52	4	2.4
800mm	786.7	793.7	916.2	977.9	1060.4	50	28	41.3	9.52	4	2.4

SPECIFICATIONS:

- ALL DIMENSIONS ARE IN MM
- PIPE
 - ANSI B. 36.10, ASTM A 106 GR. B SCH.40 UPTO 150 NB, 200 NB TO 600 NB MIN SCH.20* & 700 NB ONWARDS STD. SCH.
 - 450 & ABOVE SCH. PIPE AS ABOVE OR WELDED CONSTRUCTION FROM IS 2062 PLATES WITH (SPOT X-RAY)
- FLANGE : ANSI B. 16.5, ASA 150#, IS 2022 GR. A.
- LINER : ASTM D 1457TYPE- III PTFE/ 700 NB ONWARDS PTFE WELDED LINER
- STANDARD MAX. LENGTH OF PIPE 3000 MM
- THE TOLERANCES ON LENGTH OF PIPE +/- 3.2
- LINING & OTHER DIMENSIONAL TOLERANCES AS PER ASTM A 1545-98 / ASTM D 1457 TYPE III
- OTHER SPECIFICATIONS / DIMENSIONS / VACUUM SERVICE AVAILABLE ON REQUEST
- P= G- 2MM, J= 0.8 G

LINED ELBOW 90°



Dimensional Table

Rating :150 Class

SIZE (NB)	øA ±1	øB	øC	F1	F	PCD	øE	G	NO. OF HOLES	HOLE DIA	PIPE THK. K	LINER THK. S	FACE THK. H
15mm	14	21	34.9	44	89	60.3	88.9	11.1	4	15.9	2.9	4	2.4
20mm	19.6	26.6	42.7	44	89	69.8	98.4	12.7	4	15.9	3.4	4	2.4
25mm	19.6	26.6	50.8	44	89	79.4	108	14.2	4	15.9	3.4	4	2.4
32mm	28.1	35.1	63.5	51	95	88.9	117.5	15.8	4	15.9	3.6	4	2.4
40mm	33.9	40.9	73	57	102	98.4	127	17.5	4	15.9	3.7	4	2.4
50mm	45.5	52.5	92.1	63	114	120.7	152.4	19.1	4	19	3.9	4	2.4
65mm	55.7	62.7	104.8	76	127	139.7	177.8	22.2	4	19	5.2	4	2.4
80mm	70.9	77.9	127	76	140	152.4	190.5	23.8	4	19	5.5	4	2.4
100mm	95.3	102.3	157.2	102	165	190.5	228.6	23.8	8	19	6	4	2.4
125mm	119.2	128.2	185.7	114	190	215.9	254	23.8	8	22.2	6.6	5	3.8
150mm	145.1	154.1	215.9	127	203(305)*	241.3	279.4	25.4	8	22.2	7.1	5	3.8
200mm	197.4	206.4	269.9	140	229(338)*	298.5	342.9	28.6	8	22.2	6.35	5	3.8
250mm	249.3	260.3	323.9	165	(419)*	362	406.4	30.2	12	25.4	6.35	6	4
300mm	300.1	311.1	381	190	(483)*	431.8	482.6	31.8	12	25.4	6.35	6	4
350mm	328.7	339.7	412.8	226	(546)*	476.3	533.4	34.9	12	28.6	7.92	6	4
400mm	379.5	390.5	469.9	253	(610)*	539.8	596.9	36.5	16	28.6	7.92	6	4
450mm	429.3	441.3	533.4	279	(673)**	577.9	635	39.7	16	31.8	7.92	6.5	4.4
500mm	475.9	488.9	584.2	305*	(737)**	635	698.5	42.9	20	32	9.52	7	4.8
600mm	575.9	590.5	692.2	358*	(864)**	749.3	812.6	47.6	20	35	9.52	8	5.6

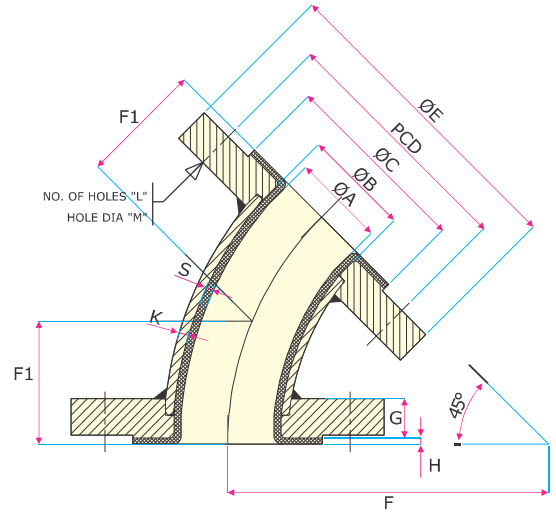
SPECIFICATIONS:

1. ALL DIMENSIONS ARE IN MM
2. MATERIAL OF CONSTRUCTION:
 ELBOW BODY : ASTM A 234 Gr. WPB
 FLANGE : ANSI B. 16.5, ASA 150#, IS 2002.
 LINER : ASTM D 1457 TYPE III, PTFE

*- In Two Piece Construction
 **- In Three Piece Construction



LINED ELBOW 45°



Dimensional Table

Rating : 150 Class

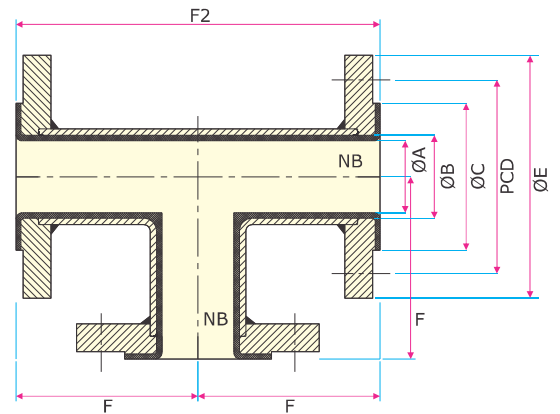
SIZE (NB)	ØA ±1	ØB	ØC	F1	F	PCD	ØE	G	NO. OF HOLES	HOLE DIA	PIPE THK. K	LINER THK. S	FACE THK. H
15mm	14	21	34.9	44	89	60.3	88.9	11.1	4	15.9	2.9	4	2.4
20mm	19.6	26.6	42.7	44	89	69.8	98.4	12.7	4	15.9	3.4	4	2.4
25mm	19.6	26.6	50.8	44	89	79.4	108	14.2	4	15.9	3.4	4	2.4
32mm	28.1	35.1	63.5	51	95	88.9	117.5	15.8	4	15.9	3.6	4	2.4
40mm	33.9	40.9	73	57	102	98.4	127	17.5	4	15.9	3.7	4	2.4
50mm	45.5	52.5	92.1	63	114	120.7	152.4	19.1	4	19	3.9	4	2.4
65mm	55.7	62.7	104.8	76	127	139.7	177.8	22.2	4	19	5.2	4	2.4
80mm	70.9	77.9	127	76	140	152.4	190.5	23.8	4	19	5.5	4	2.4
100mm	95.3	102.3	157.2	102	165	190.5	228.6	23.8	8	19	6	4	2.4
125mm	119.2	128.2	185.7	114	190	215.9	254	23.8	8	22.2	6.6	5	3.8
150mm	145.1	154.1	215.9	127	203(305)*	241.3	279.4	25.4	8	22.2	7.1	5	3.8
200mm	197.4	206.4	269.9	140	229(338)*	298.5	342.9	28.6	8	22.2	6.35	5	3.8
250mm	249.3	260.3	323.9	165	(419)*	362	406.4	30.2	12	25.4	6.35	6	4
300mm	300.1	311.1	381	190	(483)*	431.8	482.6	31.8	12	25.4	6.35	6	4
350mm	328.7	339.7	412.8	226	(546)*	476.3	533.4	34.9	12	28.6	7.92	6	4
400mm	379.5	390.5	469.9	253	(610)*	539.8	596.9	36.5	16	28.6	7.92	6	4
450mm	429.3	441.3	533.4	279	(673)**	577.9	635	39.7	16	31.8	7.92	6.5	4.4
500mm	475.9	488.9	584.2	305*	(737)**	635	698.5	42.9	20	32	9.52	7	4.8
600mm	575.9	590.5	692.2	358*	(864)**	749.3	812.6	47.6	20	35	9.52	8	5.6

SPECIFICATIONS:

- ALL DIMENSIONS ARE IN MM
- MATERIAL OF CONSTRUCTION:
 ELBOW BODY : ASTM A 234 Gr. WPB
 FLANGE : ANSI B. 16.5 ASA 150#, IS 2002.
 LINER : ASTM D 1457 TYPE III, PTFE

*- In Two Piece Construction
 **- In Three Piece Construction

LINED EQUAL TEE



Dimensional Table

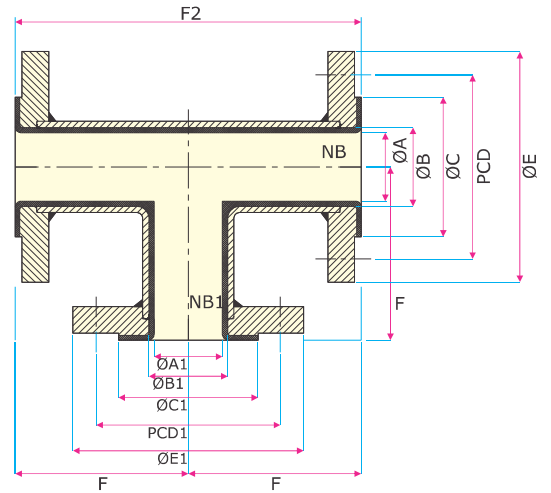
Rating :150 Class

NB	F	F2
20mm	89	178
25mm	89	178
32mm	95	190
40mm	102	204
50mm	114	228
65mm	127	254
80mm	140	280
100mm	165	330
125mm	190	380
150mm	203	406
200mm	229	458
250mm	279	558
300mm	305	610
350mm	356	712
400mm	378	756
500mm	457	914
600mm	559	1118

SPECIFICATIONS:

1. ALL DIMENSIONS ARE IN MM
2. FOR OTHER DIMENSIONS PLEASE SEE "LINED PIPE" PAGE
3. MATERIAL OF CONSTRUCTION :
 EQUAL TEE; EQUAL CROSS BODY (PIPE) :
 ANSI B 36.10; ASTM A 216 Gr. WCB; ASTM A 106 Gr. B
 FLANGE :
 ANSI B. 16.5.ASA 150#, IS 2002.
 LINER :
 ASTM D 3307
 ASTM D 2116

LINED REDUCING TEE



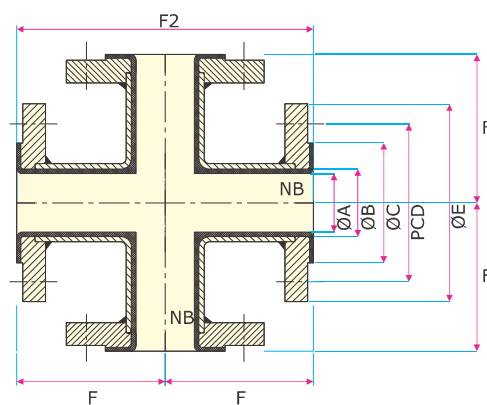
Dimensional Table Rating : 150 Class

NB	NB1	F	F2
25	20	89	178
32	20/25	95	190
40	25	102	204
50	25/40	114	228
65	40/50	127	254
80	25/50	140	280
100	80	165	330
125	65/80/100	190	380
150	80/100/125	203	406
200	80/100/125/150	229	458
250	100/125/150/200	279	558
300	100/125/150/200/250	305	610
350	100/125/150/200/250	356	712
400	150/200/250/300/350	378	756
500	500	457	914
600	600	559	1118

SPECIFICATIONS:

1. ALL DIMENSIONS ARE IN MM
2. FOR OTHER DIMENSIONS PLEASE SEE "LINED PIPE" PAGE
3. MATERIAL OF CONSTRUCTION :
 EQUAL TEE; EQUAL CROSS BODY (PIPE) :
 ANSI B 36.10; ASTM A 216 Gr. WCB / ASTM A 106 Gr. B
 FLANGE :
 ANSI B. 16.5, ASA 150#, IS 2002.
 LINER :
 ASTM D 3307
 ASTM D 2116

LINED EQUAL CROSS



Dimensional Table

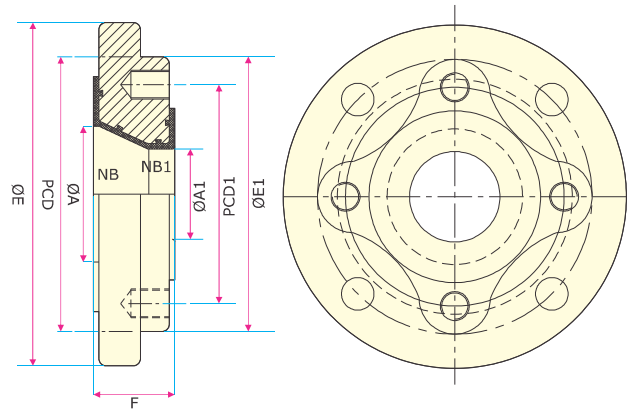
Rating :150 Class

NB	F	F2
25	-	-
32	95	190
40	102	204
50	114	228
65	127	254
80	140	280
100	165	330
125	190	380
150	203	406
200	229	458

SPECIFICATIONS:

1. ALL DIMENSIONS ARE IN MM
2. FOR OTHER DIMENSIONS PLEASE SEE "LINED PIPE" PAGE
3. MATERIAL OF CONSTRUCTION :
 EQUAL TEE; EQUAL CROSS BODY (PIPE) :
 ANSI B 36.10; ASTM A 216 Gr. WCB/ ASTM A 106 Gr. B
 FLANGE :
 ANSI B. 16.5, ASA 150#, IS 2002.
 LINER :
 ASTM D 3307
 ASTM D 2116

LINED REDUCING FLANGE



Dimensional Table

Rating : 150 Class

NB	NB1	F
20	15	35
25	20	35
25	15	35
32	25	35
32	20	35
40	32	35
40	20	35
50	40	35
50	32	35
50	25	35
50	20	35
65	50	35
65	40	35
65	20	35
80	65	45
80	50	45
80	40	45
80	25	45
100	80	45
100	65	45
100	50	45
100	40	45
100	25	45
25	100	45
125	80	45

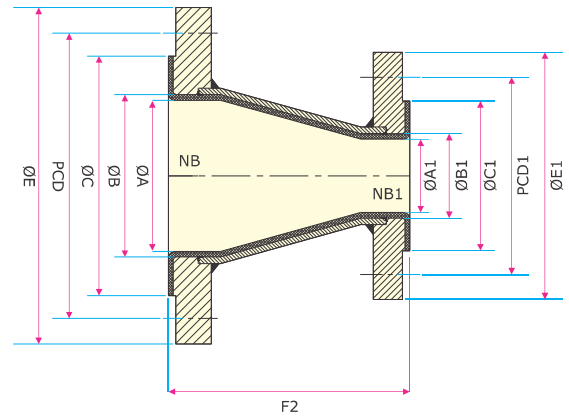
Dimensional Table

NB	NB1	F
125	50	45
150	125	54
150	100	54
150	80	54
200	150	54
200	125	54
200	100	54
200	80	54
200	50	54
250	200	54
250	150	54
250	100	54
250	80	54
300	250	54
300	200	54
300	100	54
350	300	60
350	200	60
300	100	60

SPECIFICATIONS:

1. ALL DIMENSIONS ARE IN MM
2. FOR OTHER DIMENSIONS PLEASE SEE "LINED PIPE" PAGE
3. MATERIAL OF CONSTRUCTION :
REDUCING FLANGES & REDUCERS :
 ANSI B 36.10, ASTM A 216 Gr. WCB/ASTM A 106 Gr. B
FLANGE :
 ANSI B. 16.5, ASA 150#, IS 2002.
LINER :
 ASTM D 3307
 ASTM D 2116

LINED REDUCER



Dimensional Table Rating :150 Class

NB	NB1	F2
25	20	114
32	25/20	114
40	15/25	114
50	40/25	127
65	50/40	127
80	50/40	152
100	80/50/25	178
125	100/80	203
150	125/100	229
200	150	279
250	200	305
300	250	356

SPECIFICATIONS:

1. ALL DIMENSIONS ARE IN MM
2. FOR OTHER DIMENSIONS PLEASE SEE "LINED PIPE" PAGE
3. MATERIAL OF CONSTRUCTION :
REDUCING FLANGES & REDUCERS :
ANSI B 36.10, ASTM A 216 Gr. WCB/ASTM A 106 Gr. B
FLANGE :
ANSI B. 16.5, ASA 150#, IS 2002.
LINER :
ASTM D 3307
ASTM D 2116

Authorised Dealer;
Pushkarna Sales Pvt Ltd.
4772, Hauz Qazi, Delhi-06.
Telefax : 011-23216378/23217239.
Email : sales@pushkarnasales.com
Web : www.pushkarnasales.com
KSB, KSB MIL, FORBES MARSHALL,
BRAY, VAAS Valves & Automation.